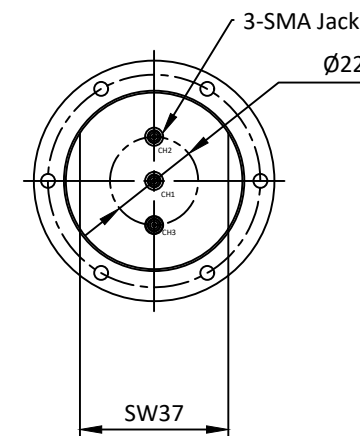
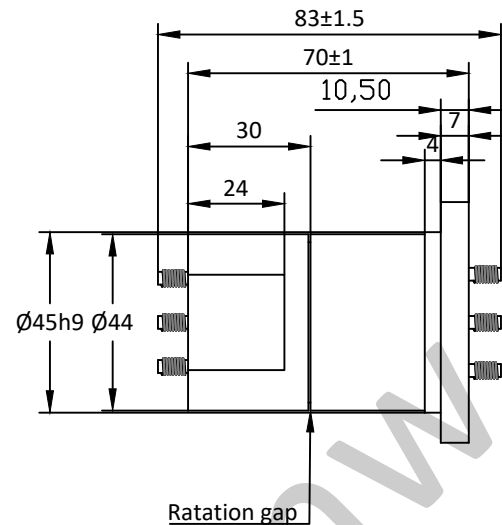
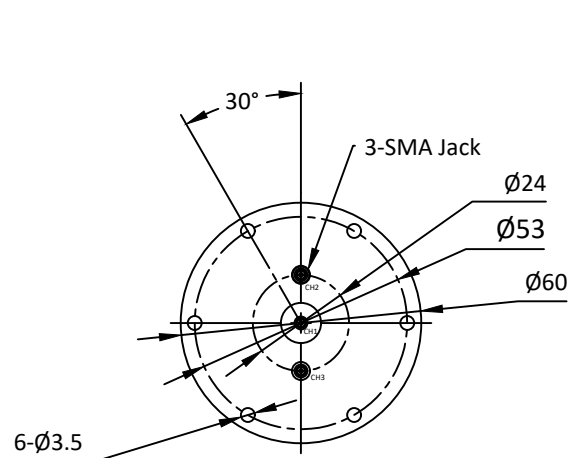


NOTES: UNLESS OTHERWISE SPECIFIED  
THIS IS A CAD GENERATED DRAWING, DO NOT REVISE MANUALLY

| REVISION HISTORY |     |                     |          |      |          |
|------------------|-----|---------------------|----------|------|----------|
| ZONE             | REV | DESCRIPTION         | E.C.O.NO | DATE | APPROVED |
|                  | 1   | ENGINEERING RELEASE |          |      |          |



## LRJ-1083

3通道同轴旋转关节 Three Channel Coax Rotary Joint  
—电气技术参数 Electrical Specifications—

| 通道 Channel:           | CH1            | CH2            | CH3            |
|-----------------------|----------------|----------------|----------------|
| 工作频率 Frequency Range: | 1020 - 1100MHz | 1020 - 1100MHz | 1020 - 1100MHz |
| 插入损耗 Insertion Loss:  | 0.6dB(Max)     | 0.6dB(Max)     | 0.6dB(Max)     |
| 插入损耗最大波动值:            | 0.1dB          | 0.1dB          | 0.1dB          |
| 电压驻波比 VSWR:           | 1.5(Max)       | 1.5(Max)       | 1.5(Max)       |
| 驻波比最大波动值:             | 0.1            | 0.1            | 0.1            |
| 耐功率 Power:            | 150W(CW)       | 50W(CW)        | 50W(CW)        |
|                       | /              | /              | /              |

工作温度 Operation Temperature: -50~+85°C

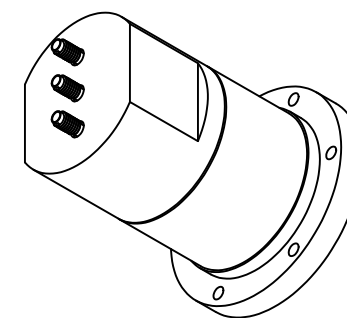
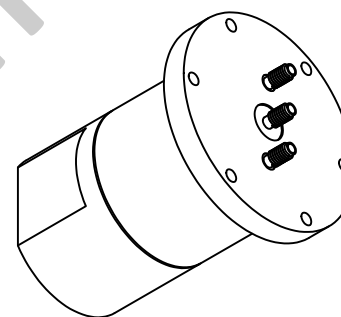
存储温度 Storage Temperature: -55~+85°C

转动速度 Speed: 60rpm(Max)

寿命 Life: 5\*10<sup>6</sup>转(Min)

—机械技术参数 Mechanical Specification—

|                |       |
|----------------|-------|
| 接口 Connectors: | SMA-F |
| 样式 Type:       | /     |
| 重量 Weight:     | 260g  |



| UNLESS OTHERWISE SPECIFIED<br>DIMENSIONS ARE MILLIMETER<br>TOLERANCES ARE:<br>DECIMALS ANGLES FRACTIONS<br>.XX±0.1 ±1' ±2/5<br>.XXX±0.012   |            |               |            | 莱尔微波<br>www.lairmw.com sales@lairmw.com |         | P/N: LRJ-1083 |         |               |         |                |         |                |         |                |         |   |  |           |      |      |  |     |  |     |  |      |  |  |  |  |  |
|---|------------|---------------|------------|---|---------|---------------|---------|---------------|---------|----------------|---------|----------------|---------|----------------|---------|---|--|-----------|------|------|--|-----|--|-----|--|------|--|--|--|--|--|
| <table border="1"> <thead> <tr> <th>HOLE DIAMETER</th> <th>TOLERANCES</th> </tr> </thead> <tbody> <tr> <td>.35 TO 3.20</td> <td>+05/-02</td> </tr> <tr> <td>3.21 TO 6.35</td> <td>+10/-03</td> </tr> <tr> <td>6.36 TO 12.70</td> <td>+15/-03</td> </tr> <tr> <td>12.71 TO 19.05</td> <td>+20/-03</td> </tr> <tr> <td>19.06 TO 25.40</td> <td>+25/-03</td> </tr> <tr> <td>25.41 TO 50.80</td> <td>+30/-03</td> </tr> </tbody> </table> |            | HOLE DIAMETER | TOLERANCES | .35 TO 3.20                             | +05/-02 | 3.21 TO 6.35  | +10/-03 | 6.36 TO 12.70 | +15/-03 | 12.71 TO 19.05 | +20/-03 | 19.06 TO 25.40 | +25/-03 | 25.41 TO 50.80 | +30/-03 | <table border="1"> <thead> <tr> <th>Approvals</th> <th>DATE</th> </tr> </thead> <tbody> <tr> <td>DRWN</td> <td></td> </tr> <tr> <td>ENG</td> <td></td> </tr> <tr> <td>CHK</td> <td></td> </tr> <tr> <td>Q.A.</td> <td></td> </tr> </tbody> </table> |  | Approvals | DATE | DRWN |  | ENG |  | CHK |  | Q.A. |  | THREE CHANNEL COAX ROTARY JOINT<br>3通道同轴旋转关节 |  |  |  |
| HOLE DIAMETER   | TOLERANCES |               |            |   |         |               |         |               |         |                |         |                |         |                |         |   |  |           |      |      |  |     |  |     |  |      |  |  |  |  |  |
| .35 TO 3.20   | +05/-02    |               |            |   |         |               |         |               |         |                |         |                |         |                |         |   |  |           |      |      |  |     |  |     |  |      |  |  |  |  |  |
| 3.21 TO 6.35  | +10/-03    |               |            |   |         |               |         |               |         |                |         |                |         |                |         |   |  |           |      |      |  |     |  |     |  |      |  |  |  |  |  |
| 6.36 TO 12.70   | +15/-03    |               |            |   |         |               |         |               |         |                |         |                |         |                |         |   |  |           |      |      |  |     |  |     |  |      |  |  |  |  |  |
| 12.71 TO 19.05  | +20/-03    |               |            |   |         |               |         |               |         |                |         |                |         |                |         |   |  |           |      |      |  |     |  |     |  |      |  |  |  |  |  |
| 19.06 TO 25.40  | +25/-03    |               |            |   |         |               |         |               |         |                |         |                |         |                |         |   |  |           |      |      |  |     |  |     |  |      |  |  |  |  |  |
| 25.41 TO 50.80  | +30/-03    |               |            |   |         |               |         |               |         |                |         |                |         |                |         |   |  |           |      |      |  |     |  |     |  |      |  |  |  |  |  |
| Approvals   | DATE       |               |            |   |         |               |         |               |         |                |         |                |         |                |         |   |  |           |      |      |  |     |  |     |  |      |  |  |  |  |  |
| DRWN  |            |               |            |   |         |               |         |               |         |                |         |                |         |                |         |   |  |           |      |      |  |     |  |     |  |      |  |  |  |  |  |
| ENG   |            |               |            |   |         |               |         |               |         |                |         |                |         |                |         |   |  |           |      |      |  |     |  |     |  |      |  |  |  |  |  |
| CHK   |            |               |            |   |         |               |         |               |         |                |         |                |         |                |         |   |  |           |      |      |  |     |  |     |  |      |  |  |  |  |  |
| Q.A.  |            |               |            |   |         |               |         |               |         |                |         |                |         |                |         |   |  |           |      |      |  |     |  |     |  |      |  |  |  |  |  |
| SIZE A3   |            | CAGE NO       |            | DWG NO.                                 |         | REV 1         |         |               |         |                |         |                |         |                |         |   |  |           |      |      |  |     |  |     |  |      |  |  |  |  |  |
| SCALE 3:2   |            | UNIT mm       |            | SHEET 1 OF 1                            |         |               |         |               |         |                |         |                |         |                |         |   |  |           |      |      |  |     |  |     |  |      |  |  |  |  |  |